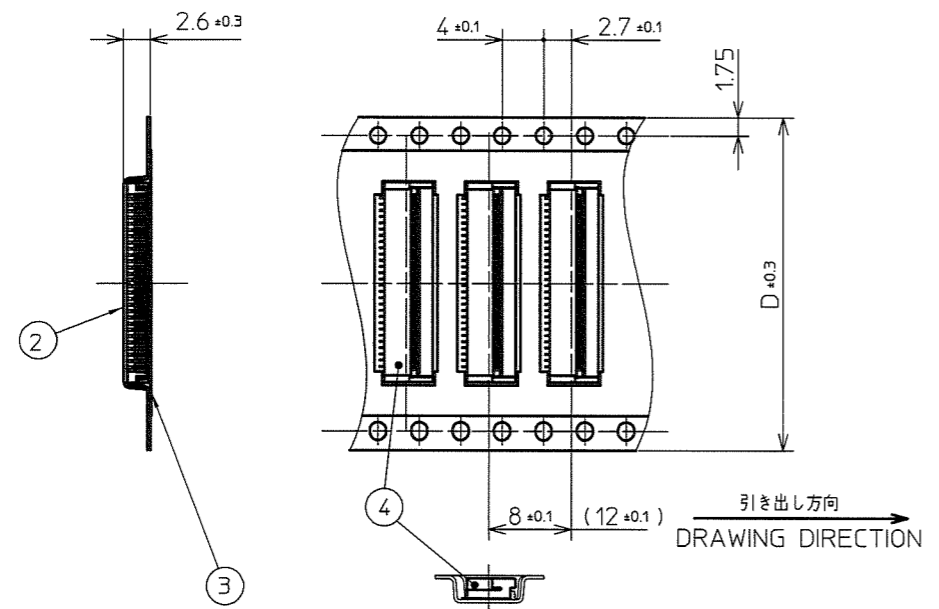


EMBOSS TAPE	REEL	COVER TAPE	DIMENSIONS	
			C	D
62789-1511__~2111__	KRM-E16	KEC 135	16.4 ± 0.2	16
62789-2711__~4511__	KRM-E24	KEC 215	24.4 ± 0.2	24
62789-5111__~5711__	KRM-E32	KEC 255	32.4 ± 0.2	32
62789-6711__	KRM-E44	KEC 375	44.4 ± 0.2	44

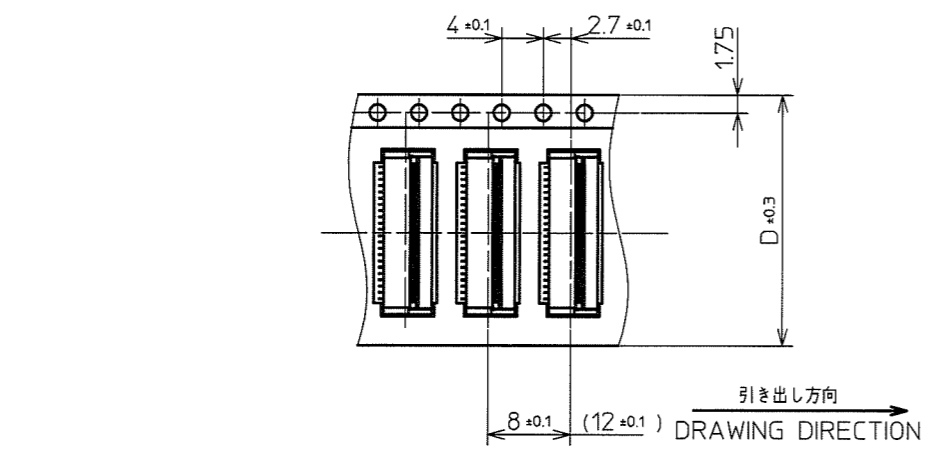
PT.NO.	PARTS NAME	PRODUCT NO.	MATERIAL	Q'TY	NOTE
1	REEL		CARDBOARD	1	
2	EMBOSS TAPE		PET	1	
3	COVER TAPE		POLYESTER		
4	CONNECTOR	62789-__11__	62789 SHEET2	3000 (2000)	

EMBOSS TAPE	Q'TY	REEL	DIMENSIONS	
			phi A	B
62789-__11__	3000 (2000)	KRM-E__	phi 330	2 ± 0.5

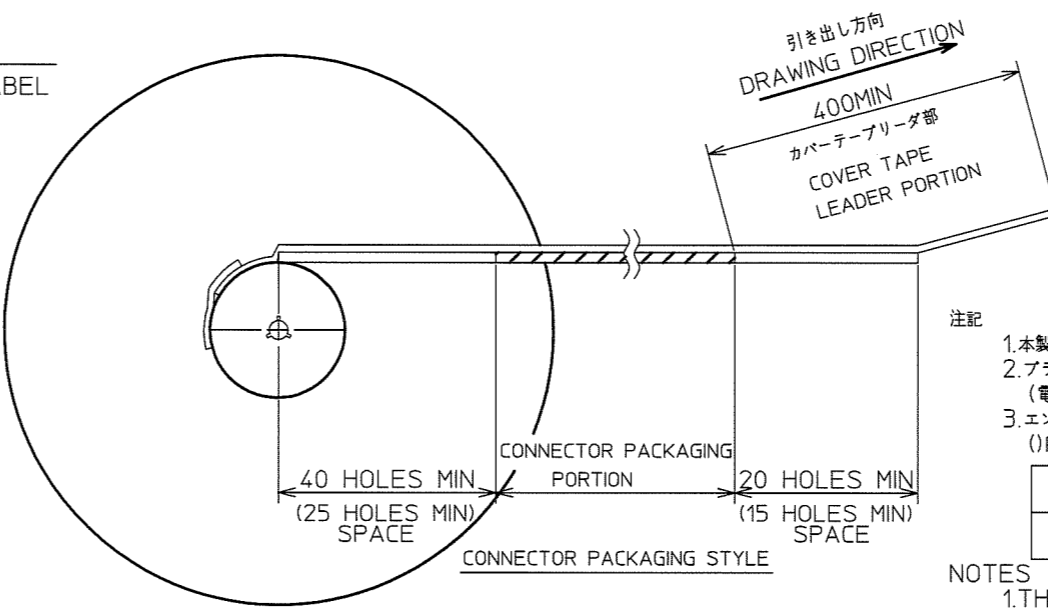
n : 極数
n : NO. OF CONTACTS



1. 62789-5111__~6711__



2. 62789-1511__~4511__



注記

- 1.本製品は、自動実装(SMT)対応、FPC用コネクタのプラスチックテープ梱包品である。
- 2.プラスチック(エンボス)テープ及びリールの形状寸法は、JIS C 0806 (電子部品のテーピング(表面実装部品))に準ずる。
- 3.エンボスピッチ仕様
()内寸法は、12mmピッチ品に適用。

62789-__11_0_	8mm Pitch
62789-__11_1_	12mm Pitch

NOTES

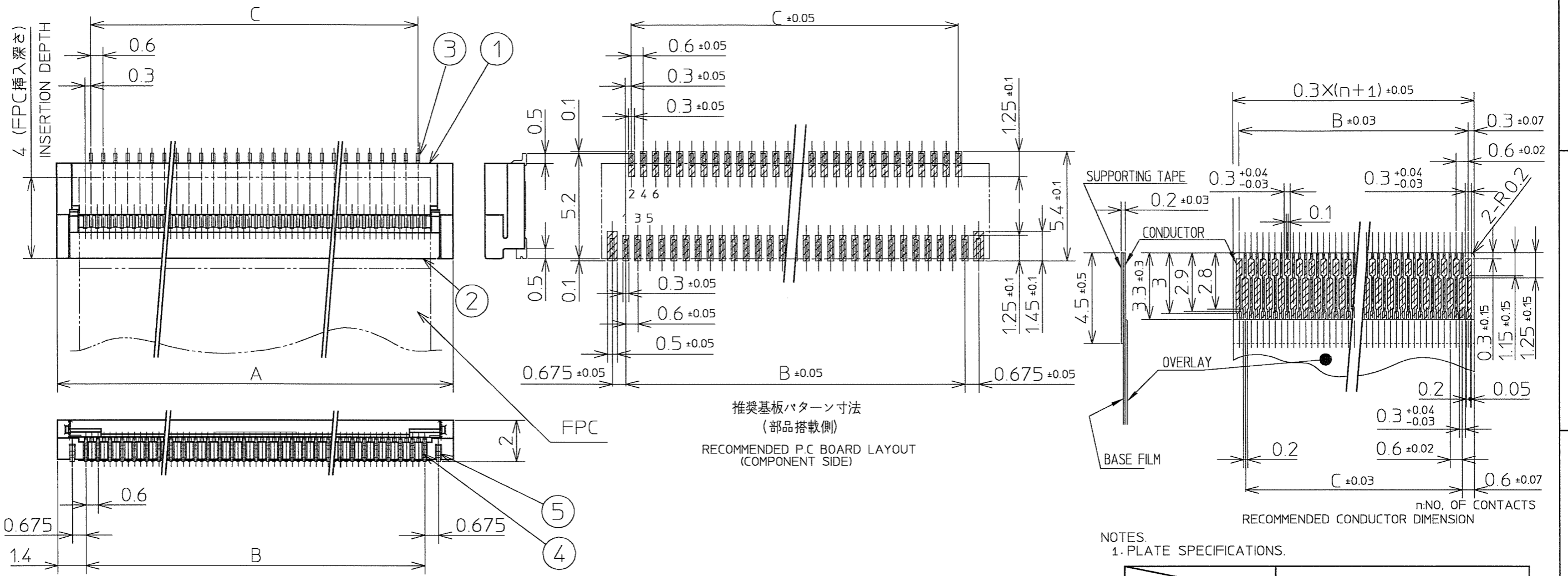
- 1.THIS IS PLASTIC TAPE PACKAGED CONNECTOR USED FOR FPC AND COPS WITH AUTOMATIC MOUNTING (SMT)
- 2.SEE JIS 0806 (PACKING OF ELECTRONIC COMPONENTS ON CONTINUOUS TAPES (SURFACE MOUNTING DEVICES))
- 3.EMBOSS PITCH SPECIFICATIONS
FOR 12mm PITCH EMBOSS TAPE USE DIMENSIONS SHOWN WITHIN BRACKET.

62789-__11_0_	8mm Pitch
62789-__11_1_	12mm Pitch

	SURFACE TREATMENT	EMBOSS PITCH	NOTE
62789-__1100	Sn-Pb PLATE	8mm	WITH TAB
62789-__1101		12mm	
62789-__1110	SELECTIVE GOLD PLATE	8mm	WITH TAB
62789-__1111		12mm	
62789-__1110ALF	ALL GOLD PLATE	8mm	WITHOUT TAB
62789-__1111ALF		12mm	
62789-__1110BLF	ALL GOLD PLATE	8mm	WITH TAB
62789-__1111BLF		12mm	

mat'l. code		surface		tolerance		projection		product family		CODE	
l/r	description	ecn no	dr	date	ISO 1302	ISO 406	ISO 1101	58UF		JP	
D	REVISED	J10366	K.O	21/Jun/01	tolerances unless otherwise specified			title			
E	REVISED	J10437	K.O	8/AUG/01	angles	linear		EMBOSS TAPE PACKAGE			
F	REVISED	J10490	K.O	17/SEP/01				scale X			
G	REVISED	J03-0071	K.O	12/Feb/03	dr			dwg no sheet 1 of 3 size			
H	REVISED	J06-0028	H.T	20/Jan/06	engr			62789 A2			
J	REVISED	J06-0460	H.T	9/Nov/06	chr			type Product Customer Drawing			
K	Added BLF type	J07-0518	H.T	2007-10-18	appd			Rev. K			
sheet	revision	K	G	C							
index	sheet	1	2	3							

FCI
FCconnect.com
Copyright FCI



推奨基板パターン寸法
(部品搭載側)
RECOMMENDED P.C. BOARD LAYOUT
(COMPONENT SIDE)

n.NO. OF CONTACTS
RECOMMENDED CONDUCTOR DIMENSION

NOTES:
1. PLATE SPECIFICATIONS.

	SURFACE TREATMENT
62789-__110	TIN OVER COPPER PLATE
62789-__111	SELECTIVE GOLD OVER NICKEL PLATE

2. PLEASE CONSULT US IN CASE OF USING PARTS WITH *MARK.
3. CONSULT US FOR DETAILS OF FPC.

PRODUCT No.	(NOTES.2)	NO. OF CONTACTS	A	B	C
62789-1511_	*	15	7.0	4.2	3.6
62789-2111_		21	8.8	6.0	5.4
62789-2711_		27	10.6	7.8	7.2
62789-3311_		33	12.4	9.6	9.0
62789-3911_	*	39	14.2	11.4	10.8
62789-4511_		45	16.0	13.2	12.6
62789-5111_		51	17.8	15.0	14.4
62789-5711_		57	19.6	16.8	16.2
62789-6711_		67	22.6	19.8	19.2

PARTS NAME	MATERIAL
1 HOUSING	THERMAL PLASTIC RESIN
2 ACTUATOR	THERMAL PLASTIC RESIN
3 CONTACT A	COPPER ALLOY
4 CONTACT B	COPPER ALLOY
5 TAB	COPPER ALLOY

mat'l. code				surface ISO 1302 ✓	tolerance ISO 406 ISO 1101	projection	product family 58UF	CODE JP
ltr	description	ecn no	dr	date	tolerances unless otherwise specified		title CONNECTOR ASS'Y	sheet 2 of 62789
A	RELEASED	J00808	K.O	18/Sep/00	angles	linear ±0.3		
B	REVISED	J00901	K.O	8/Nov/00			scale X	size A3
C	REVISED	J10008	K.O	10/Jan/01				
D	REVISED	J10366	K.O	21/Jun/01	dr	11/9/06	FCJ	type Product Customer Drawing
E	REVISED	J10437	K.O	8/AUG/01	enrg	11/9/06		
F	REVISED	J03-0071	K.O	12/Feb/03	chr	11/9/06		
G	REVISED	J06-0460	H.T	9/Nov/06	appd	11/17/06		Rev. G
sheet index	revision sheet							



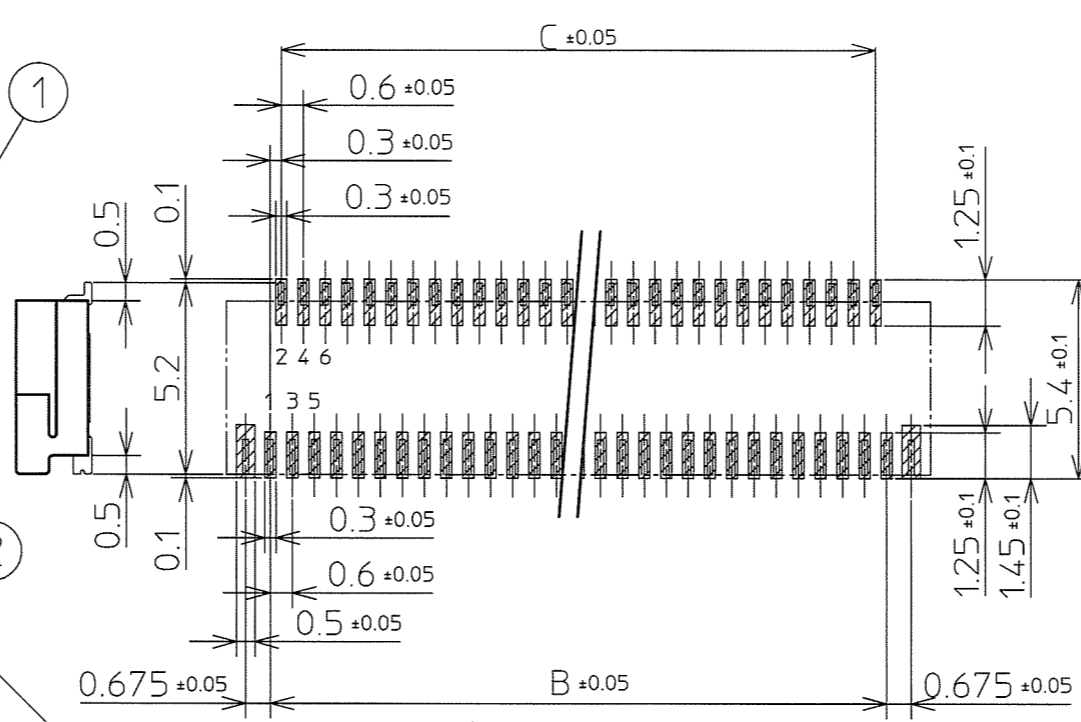
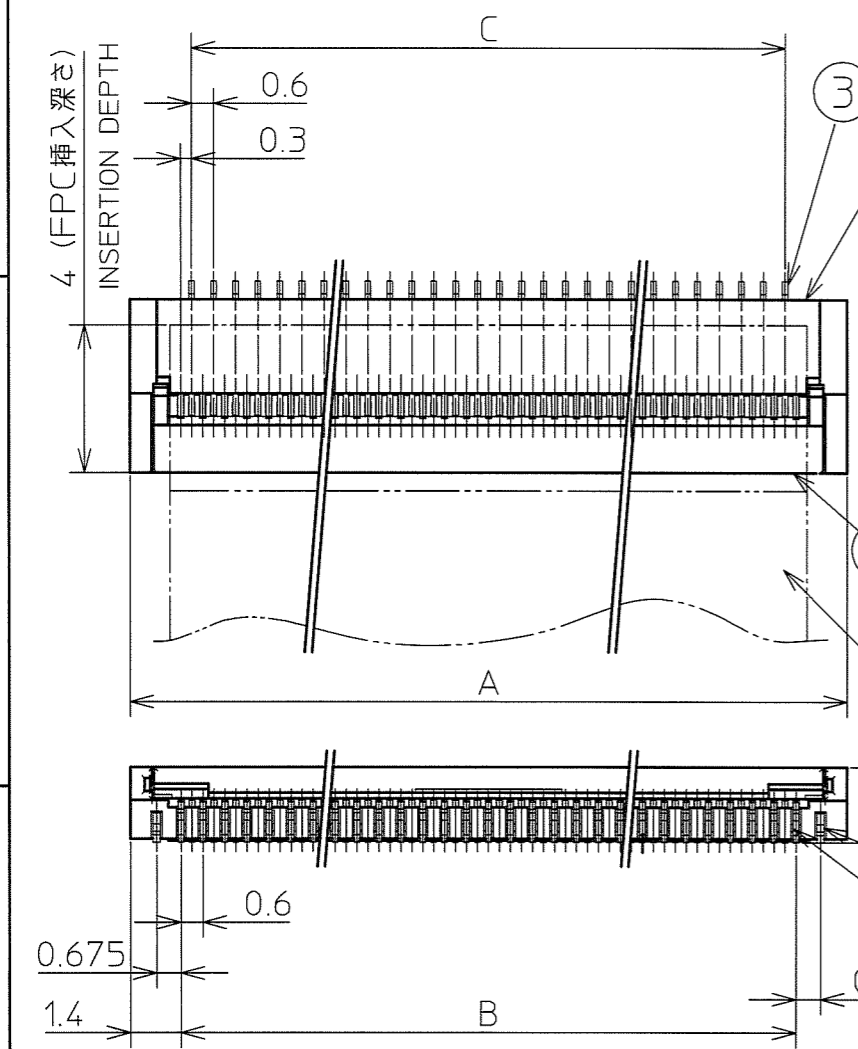
FCconnect.com

Copyright FCJ

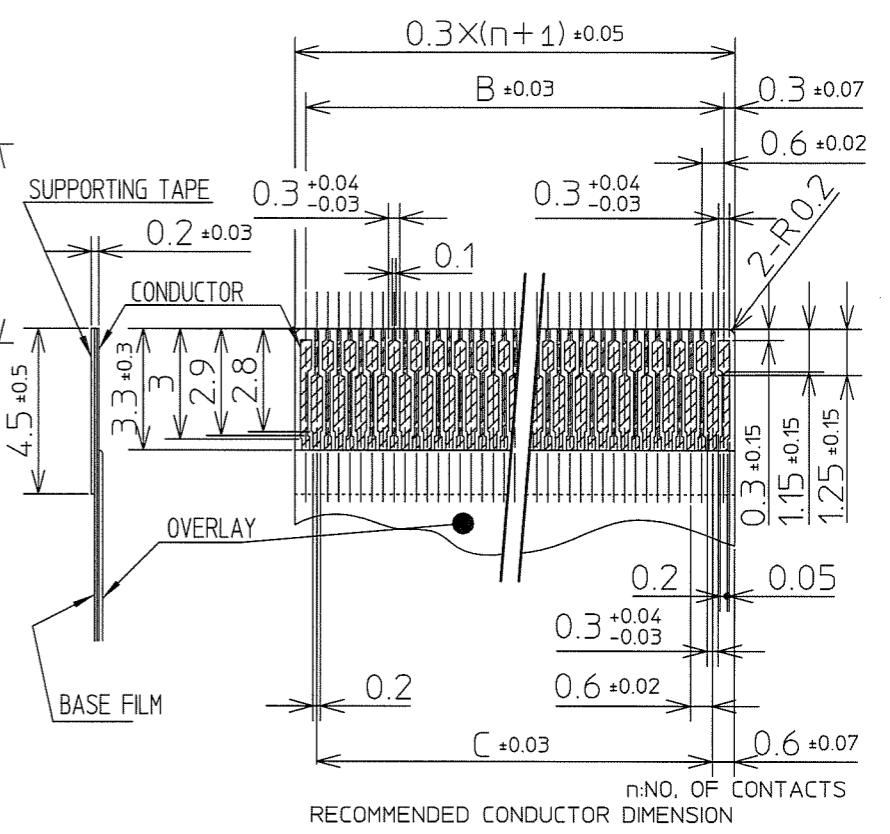


FCIconnect.com

Copyright FCI



推奨基板パターン寸法
(部品搭載側)
RECOMMENDED P.C BOARD LAYOUT
(COMPONENT SIDE)



RECOMMENDED CONDUCTOR DIMENSION
n: NO. OF CONTACTS

NOTES.

- PLATE SPECIFICATIONS.
- PLEASE CONSULT US IN CASE OF USING PARTS WITH *MARK.
- CONSULT US FOR DETAILS OF FPC.
- THIS PRODUCT MEETS EUROPEAN UNION DIRECTIVES AND OTHER COUNTRY REGULATION AS DESCRIBED IN GS-22-008.
- THE HOUSING WILL WITHSTAND EXPOSURE TO 260°C PEAK TEMPERATURE FOR 10 SECONDS IN A REFLOW SOLDERING OVEN.

	SURFACE TREATMENT	NOTE
62789-__111ALF	ALL GOLD OVER NICKEL PLATE	WITHOUT TAB
62789-__111BLF	ALL GOLD OVER NICKEL PLATE	WITH TAB

PRODUCT No.	(NOTES.2)	NO. OF CONTACTS	A	B	C
62789-1511_	*	15	7.0	4.2	3.6
62789-2111_	*	21	8.8	6.0	5.4
62789-2711_	*	27	10.6	7.8	7.2
62789-3311_	*	33	12.4	9.6	9.0
62789-3911_	*	39	14.2	11.4	10.8
62789-4511_		45	16.0	13.2	12.6
62789-5111_		51	17.8	15.0	14.4
62789-5711_		57	19.6	16.8	16.2
62789-6711_		67	22.6	19.8	19.2

PARTS NAME	MATERIAL
1 HOUSING	THERMAL PLASTIC RESIN
2 ACTUATOR	THERMAL PLASTIC RESIN
3 CONTACT A	COPPER ALLOY
4 CONTACT B	COPPER ALLOY
5 TAB	COPPER ALLOY

mat'l. code				surface ISO 1302	tolerance ISO 406 ISO 1101	projection	product family 58UF	CODE JP
ltr	description	ecn no	dr	date	tolerances unless otherwise specified		title CONNECTOR ASS'Y	sheet 3 of 62789
A	RELEASED	J06-0028	H.T	20/Jun/'06	angles	linear ±0.3		
B	REVISED	J06-0460	H.T	9/Nov/'06				
C	Added BLF type	J07-0518	H.T	2007-10-18			scale X	
				dr	2007-10-18		FCI	type Product Customer Drawing
				enr	2007-10-18			
				chr	2007-10-19			
				appd	2007-10-19			
sheet index	revision sheet							Rev. C